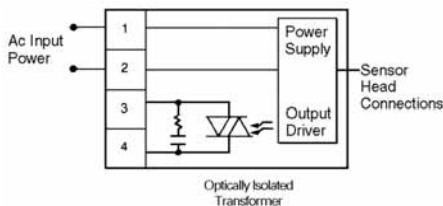


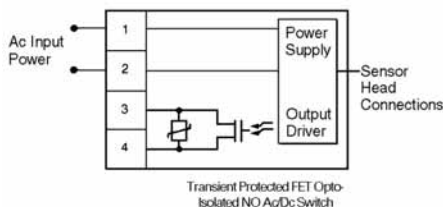
August 2007

**Wiring Diagrams — Control Units**

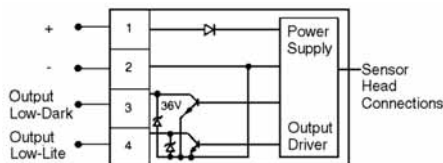
**Triac Output:**  
8880C-6501,  
8881C-6501,  
8881C-6502 and  
8884C-6501



**VMOS Output:**  
8880C-6502 and  
8884C-6502



**DC: 8882B-6501**



**Specifications — Assembled Sensors**

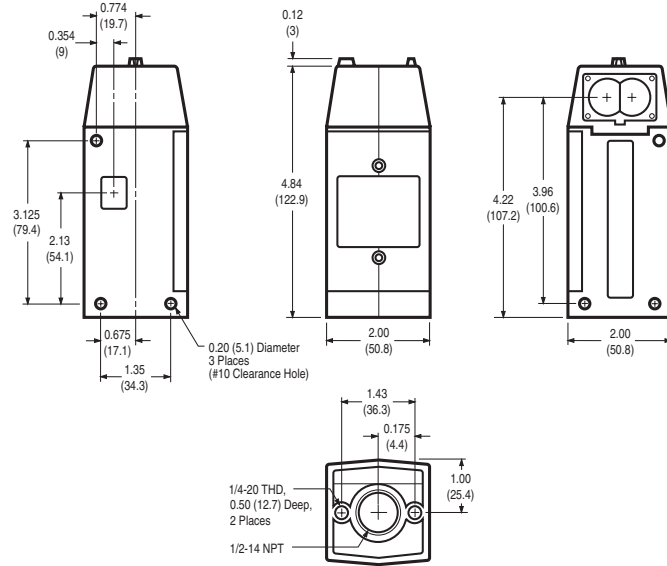
Description	Specification
Response Time: High Current Low Leakage Except Cat. No. 8881C-6502 Cat. No. 8881C-6502 DC	8 mS maximum 2 mS maximum 8 mS maximum Instantaneous
Sensitivity Adjustment	20:1 ratio nominal
Operating Temperature	-4° to 131°F (-20° to 55°C)
Humidity	95% relative humidity, non-condensing
Material of Construction	Housing: Noryl® ①; Lens: Clear polycarbonate ①
Sunlight Immunity	10,000 foot-candles
Vibration	5g or 0.06 inch displacement, whichever is less, over 20 Hz to 2 kHz
Shock	15g minimum for 1 mS
Enclosure Ratings	NEMA 1, 3, 4, 12 and 13 ②
Power On Condition	No False Pulse

① Avoid exposing to chlorinated, halogenated or aromatic hydrocarbons.

② NOTE: Our products conform to NEMA tests as indicated, however, some severe washdown applications can exceed these NEMA test specifications. If you have questions about a specific application, contact Eaton's Cutler-Hammer Sensor Applications Department at 1-800-426-9184.

Approximate Dimensions in Inches (mm)

All Control Units with: 1380B, 1381B, 1382B, 1384B, 1480B, 1480R, 1580B Sensor Heads



All Control Units with: 1383B and 1383R Sensor Heads

